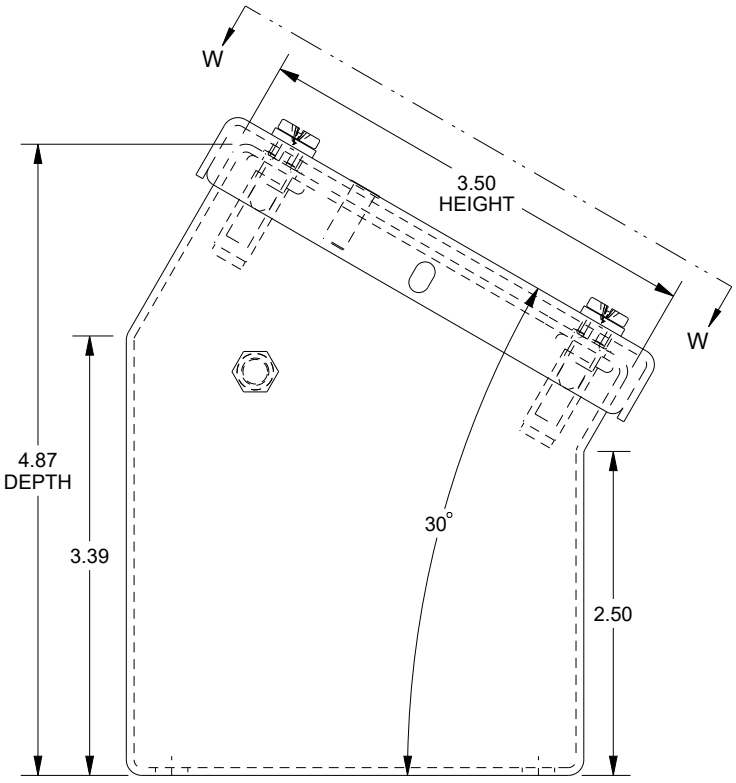


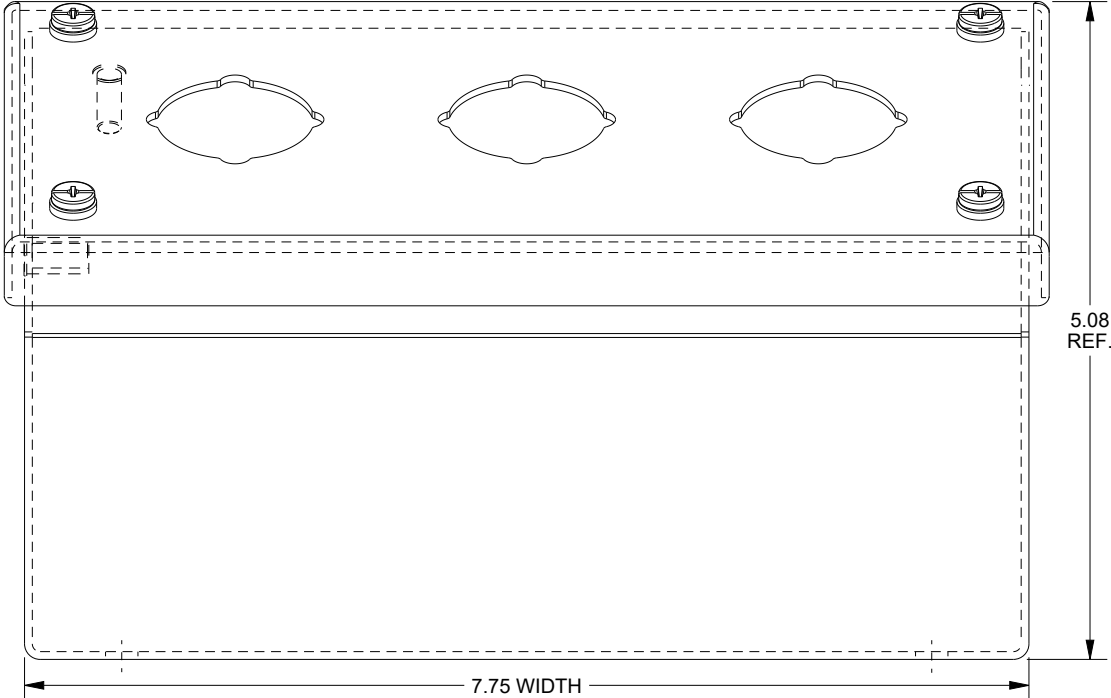
# SAGINAW CONTROL & ENGINEERING SCE-3PBA



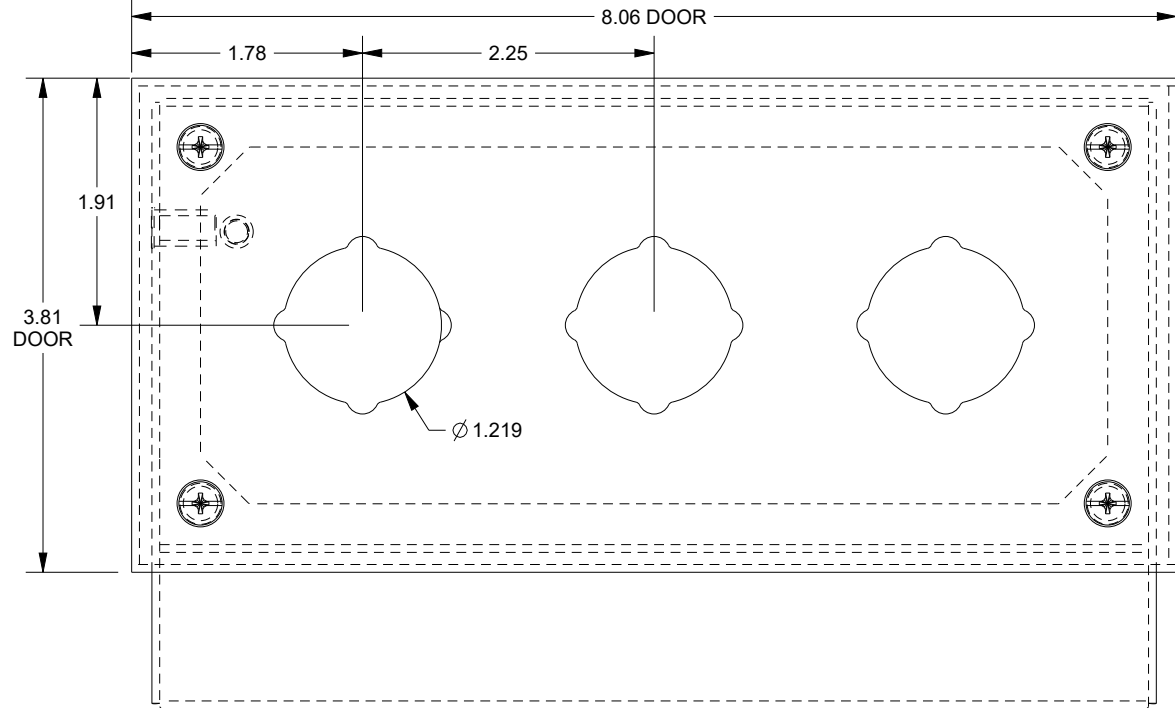
REAR VIEW



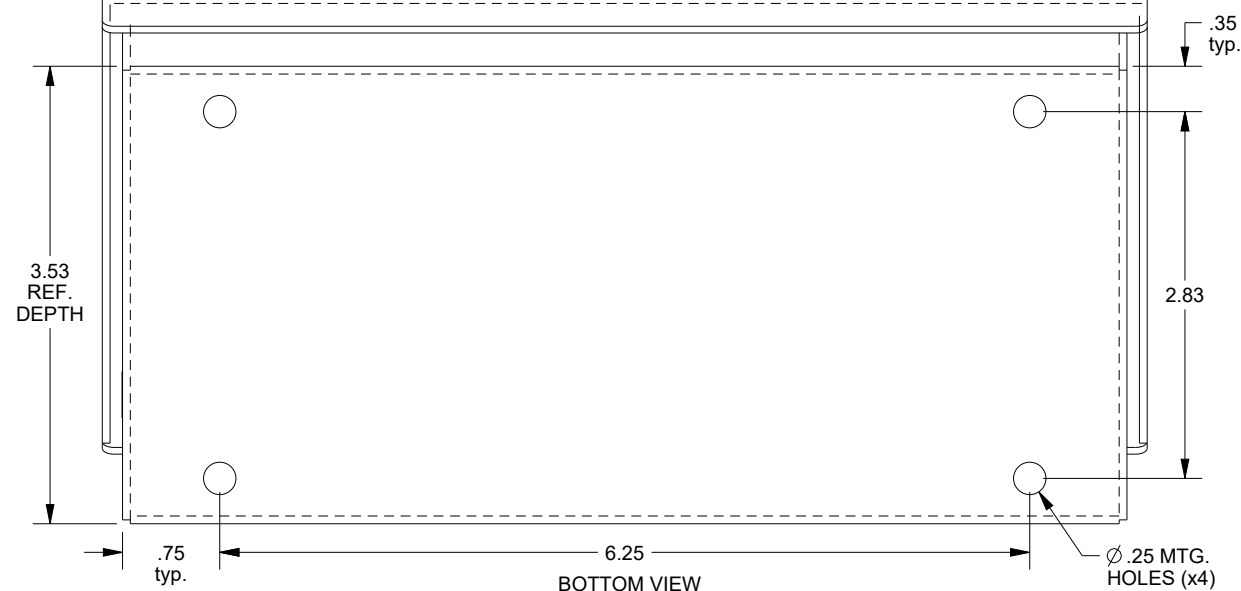
LEFT SIDE VIEW



FRONT VIEW



SECTION W-W



BOTTOM VIEW